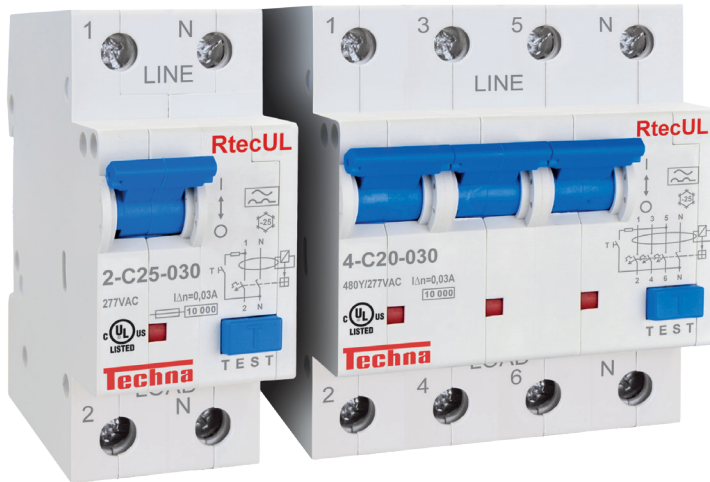


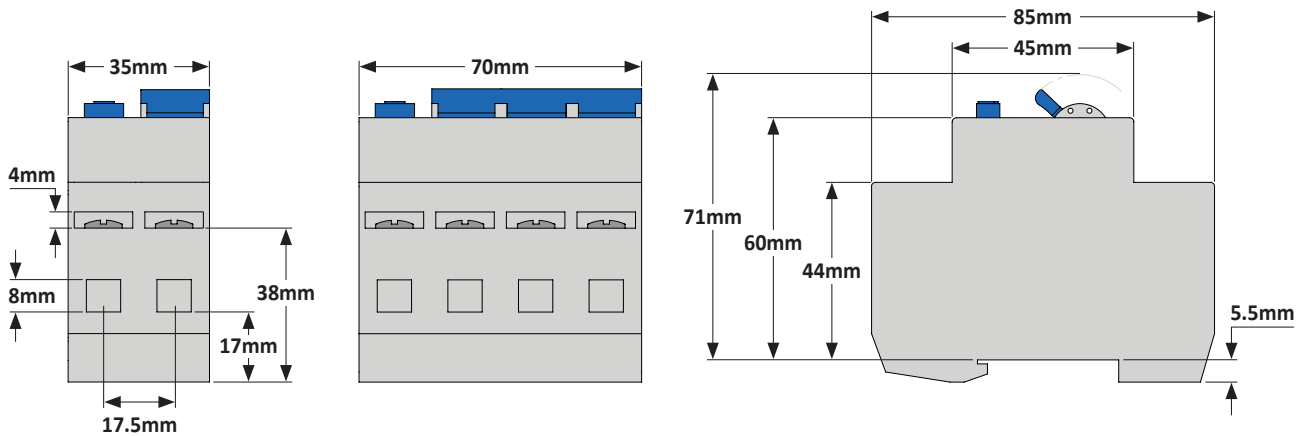
## RtecUL 5A - 40A

480Y/277Vac Equipment Ground Fault Protection Relay with inbuilt Overload Protection (RCBO)



The RtecUL range is a combined Equipment Ground Fault Relay and Overload Protector (RCBO), featuring dual pole switching (live and neutral disconnect) and designed to provide protection against short circuits, overloads, AC ground faults (residual current faults) as well as pulsating DC ground faults and has an interrupting capacity of 10kA.

The RtecUL device is also rated to UL1077 (E243696) as a Supplementary Overload Protector.



### RtecUL Technical Specification

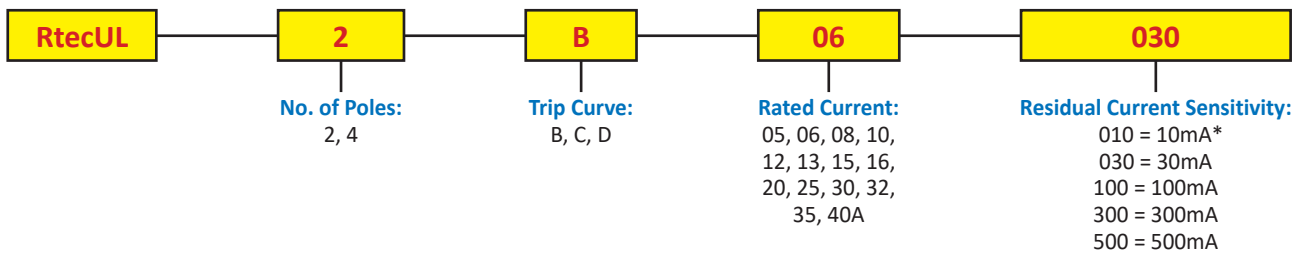
Number of Poles	2	4
Rated Voltage ( $U_n$ )	120 - 277 Vac	Up to 480Y/277 Vac
Rated Current	5, 6, 8, 10, 12, 13, 15, 16, 20, 25, 30, 32, 35, 40A	
Rated Residual Operating Current ( $I_n$ )	10*, 30, 100, 300, 500mA	
Rated Frequency	50/60Hz	
Overload Tripping	B, C and D	
Cable Size & Tightening Torque	Stranded wire sized 16 - 3 AWG (1.5mm <sup>2</sup> - 25mm <sup>2</sup> ) @ 17.5lb-in (2.0Nm)	
	Solid wire sized 16 - 10 AWG (1.5mm <sup>2</sup> - 5.5mm <sup>2</sup> ) @ 17.5lb-in (2.0Nm)	
	Solid wire sized 18 - 16 AWG (1mm <sup>2</sup> - 1.5mm <sup>2</sup> ) @ 25lb-in (2.8Nm)	
Electrical Life	6000 Switching Operations	
Mechanical Life	10000 Switching Operations	

\* 10mA only available on 2 pole with current ratings up to 25A

## RtecUL Interrupting Capacities

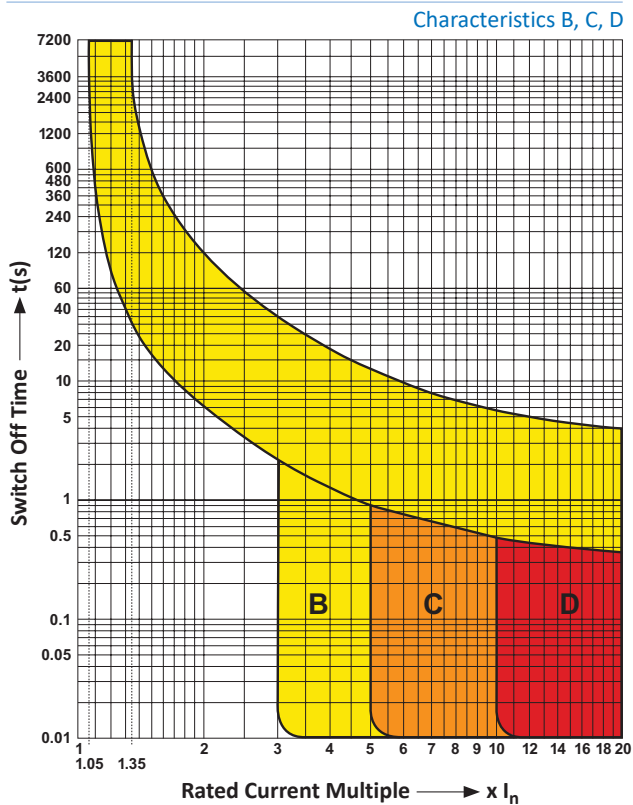
Voltage	Current Rating	Interrupt Rating	Series Backup Device
2 Pole 277 Vac	≤20A	10kA	None
	>20A	10kA	Class J Fuse 250A or lower
			Techna Jtec489 Branch Circuit Breaker Techna JtecUL Supplementary Protector
4 Pole 480Y/277 Vac	≤20A	10kA	None
	>20A	10kA	Class J Fuse 250A or lower
			Techna Jtec489 Branch Circuit Breaker Techna JtecUL Supplementary Protector

## RtecUL Ordering Scheme

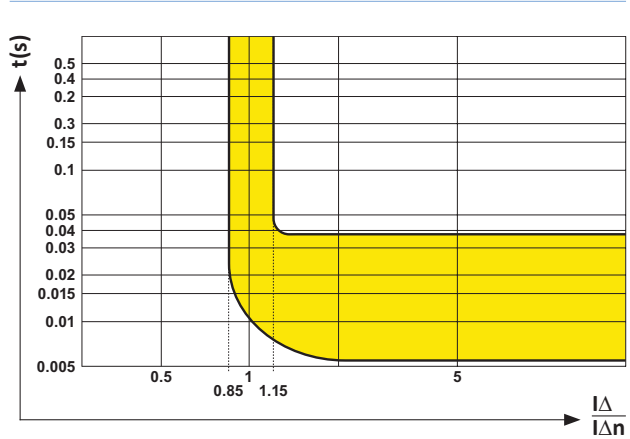


\* 10mA only available on 2 pole with current ratings up to 25A

## RtecUL Overload Trip Curves



## RtecUL Ground Fault Trip Curve



## RtecUL Impedances and Power Losses

Current Rating	Impedance (mΩ) / Power Losses (W)	
	10mA	30mA - 500mA
6A	63mΩ / 2.27W	57mΩ / 2.06W
10A	28mΩ / 2.84W	26mΩ / 2.57W
13A	20mΩ / 3.44W	16mΩ / 2.75W
16A	14mΩ / 3.70W	12mΩ / 3.01W
20A	13mΩ / 5.09W	10mΩ / 4.01W
25A	12mΩ / 7.42W	9mΩ / 5.73W
32A	-	6mΩ / 5.86W
40A	-	6mΩ / 9.13W